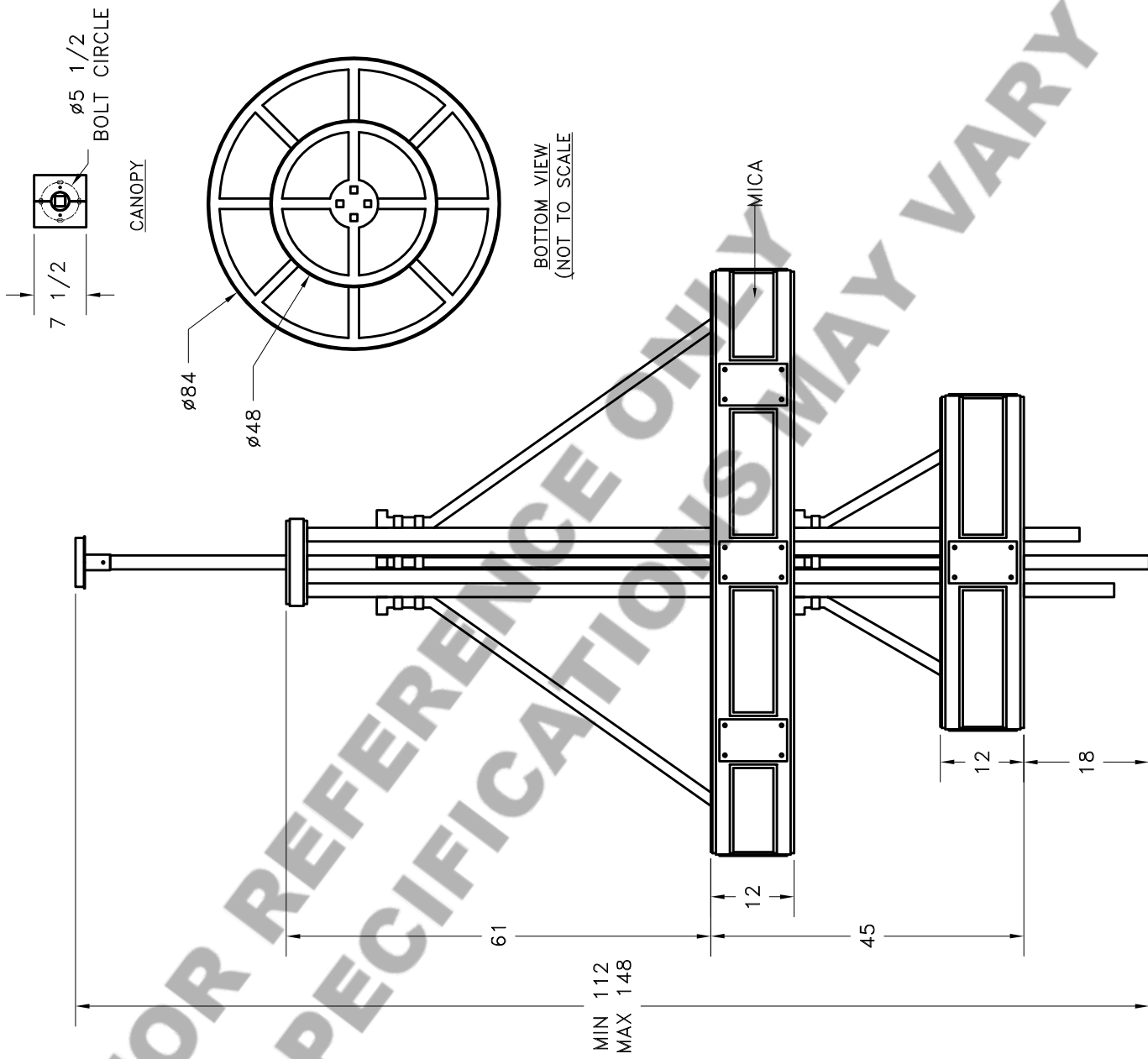


HAMMERTON

SPECIFICATION DRAWING

Location:

Product #: CHA2163



Visit hammerton.com for product options.

Mounting Packet: A	Electrical Type: INCANDESCENT
Approximate lbs.: 850	Bulb Qty: 20 Wattage: 60
Finish: SEE WEB SITE FOR OPTIONS	Voltage: 120
Top Diffuser: CLOSED	Socket Type: E26
Bottom Diffuser: SAME AS LENS	UL Location: DRY

Mounting Detail

UL APPROVED J-BOX
BUILDING STRUCTURE

CAUTION
HARDWARE PACKET "A"
MOUNTS DIRECTLY TO
BUILDING STRUCTURE.

All fixtures created by Hammerton are handcrafted by artisans. Dimensions may vary up to $\frac{7}{8}$ ".
© Copyright 2018. All rights in design, detail or invention of this drawing are reserved as the property of Hammerton. Any limitation or adaptation without written consent is strictly prohibited.
Hammerton Inc. · 217 Wright Brothers Dr. · Salt Lake City, UT 84116 · (801) 973-8095