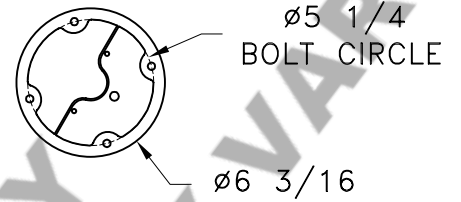
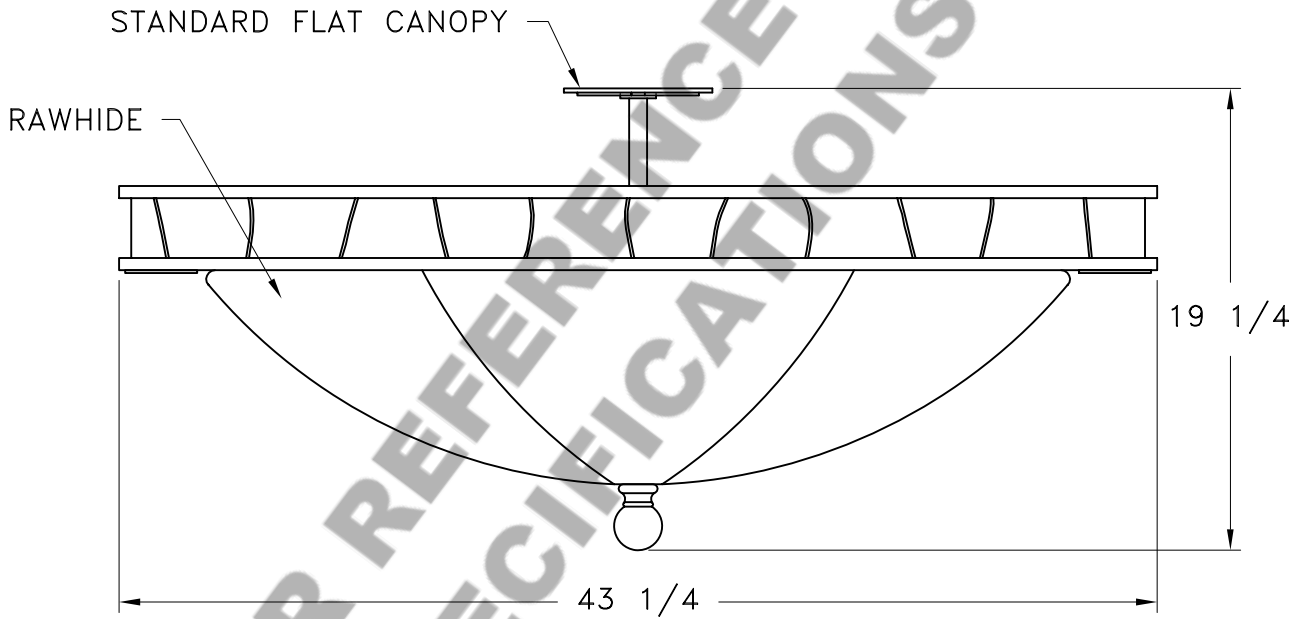


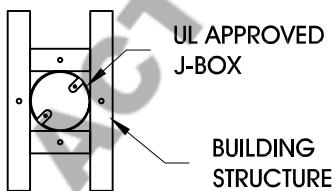
# HAMMERTON



MOUNTING DETAIL

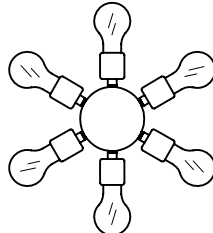


**MOUNTING SPECIFICATION NOTES:**



**CAUTION**  
HARDWARE PACKET "A" MOUNTS  
DIRECTLY TO BUILDING STRUCTURE.

**ELECTRICAL SPECIFICATION NOTES:**



**ELECTRICAL: 6-75 WATT MAX**  
**EDISON BASE**  
**120v TYPICAL**  
Light Bulb NOT Included

CATALOG # CL5028-L

APPROXIMATE WEIGHT: 90 Lbs.

HARDWARE PACKET: A

SHADE MATERIAL : RAWHIDE

UL RATING: DRY

DIMENSION TOLERANCE  $\pm 7/8"$ .

[www.hammerton.com](http://www.hammerton.com)

© Copyright 2006, All rights in design, detail or invention of this drawing are reserved as the property of Hammerton. Any imitation or adaptation without written consent is strictly prohibited.