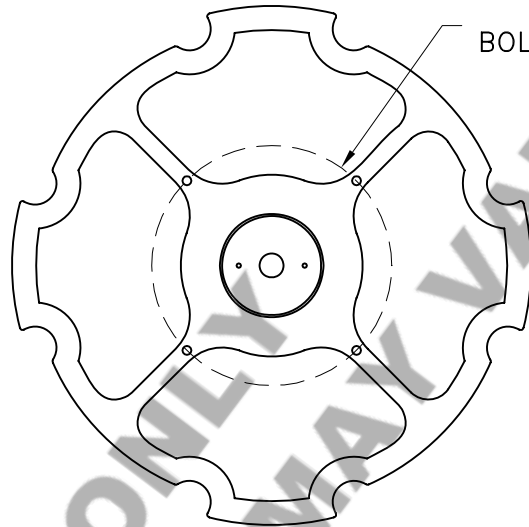
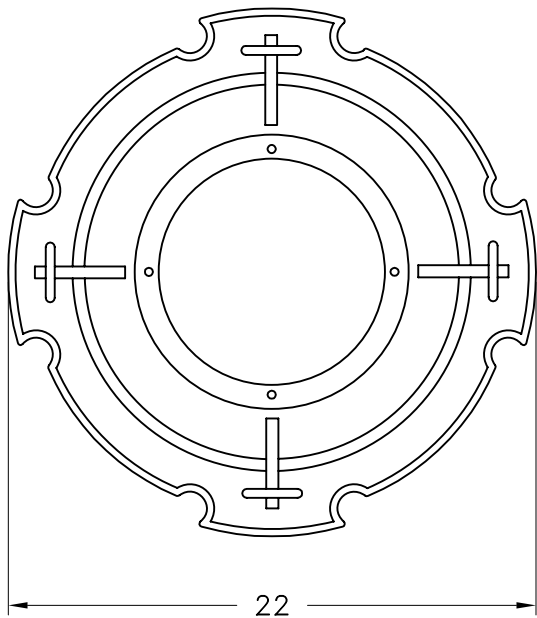


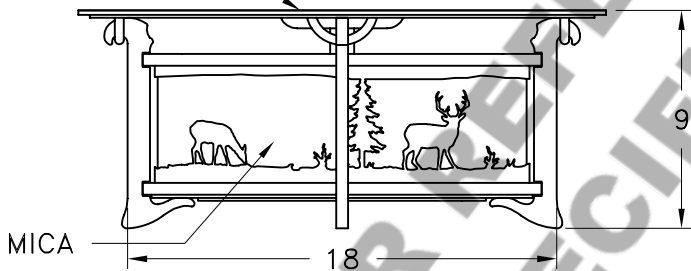
HAMMERTON

Ø10
BOLT CIRCLE



MOUNTING DETAIL

FLAT MOUNT



MOUNTING SPECIFICATION NOTES:

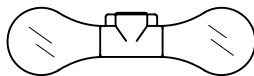
2 3/4" O.C.



UL APPROVED
J-BOX

CAUTION
HARDWARE PACKET "L" MOUNTS
DIRECTLY TO J-BOX.

ELECTRICAL SPECIFICATION NOTES:



ELECTRICAL: 2-60 WATT MAX
EDISON BASE
120v TYPICAL

Light Bulb NOT Included

CATALOG # CL6004-DR-M

APPROXIMATE WEIGHT: 40 Lbs.

HARDWARE PACKET: L

SHADE MATERIAL : MICA

UL RATING: DRY

DIMENSION TOLERANCE ± 7/8".

www.hammerton.com

© Copyright 2006. All rights in design, detail or invention of this drawing are reserved as the property of Hammerton. Any imitation or adaptation without written consent is strictly prohibited.