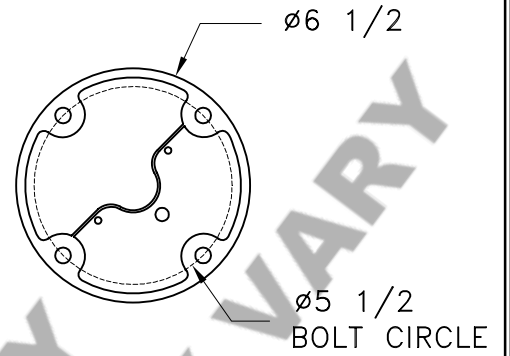
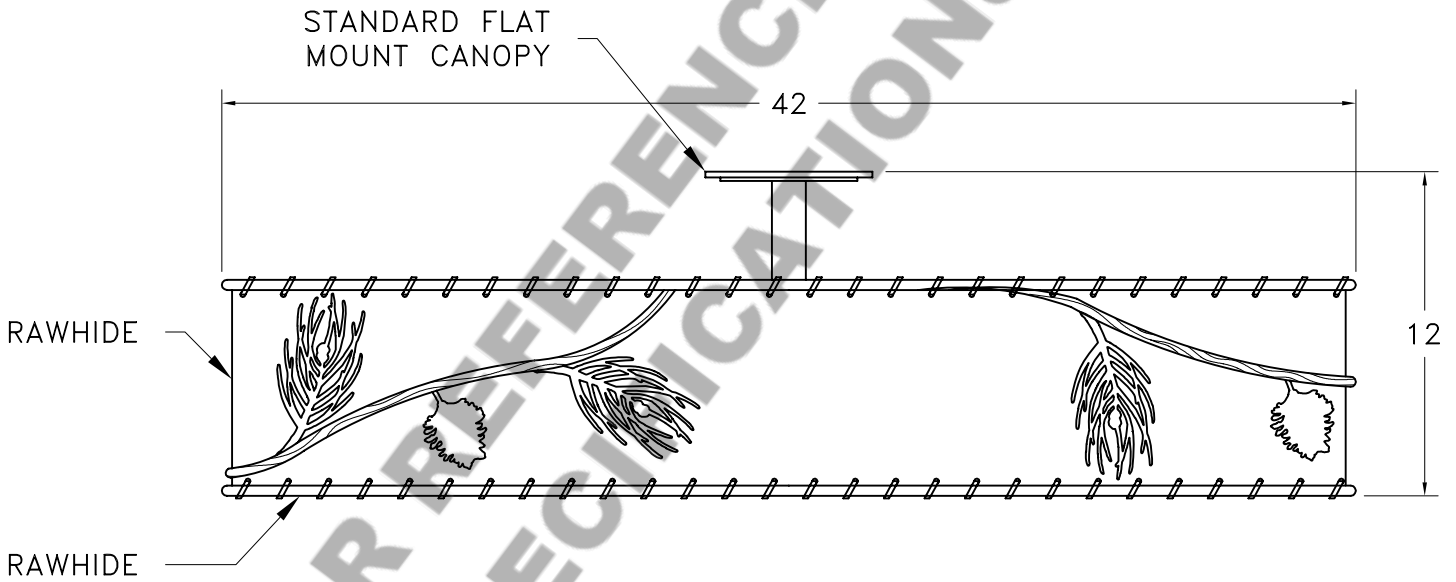


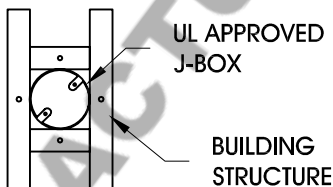
# HAMMERTON



MOUNTING DETAIL



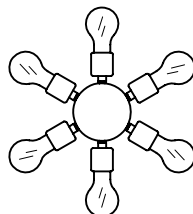
**MOUNTING SPECIFICATION NOTES:**



**CAUTION**

HARDWARE PACKET "A" MOUNTS  
 DIRECTLY TO BUILDING STRUCTURE.

**ELECTRICAL SPECIFICATION NOTES:**



**ELECTRICAL: 6-75 WATT MAX  
 EDISON BASE  
 120v TYPICAL**

Light Bulb NOT Included

CATALOG # CL7146-PN

APPROXIMATE WEIGHT: 35 Lbs.

HARDWARE PACKET: A

SHADE MATERIAL : RAWHIDE

UL RATING: DRY

DIMENSION TOLERANCE  $\pm 7/8"$ .

[www.hammerton.com](http://www.hammerton.com)

© Copyright 2006, All rights in design, detail or  
 invention of this drawing are reserved as the  
 property of Hammerton. Any imitation or  
 adaptation without written consent is strictly  
 prohibited.