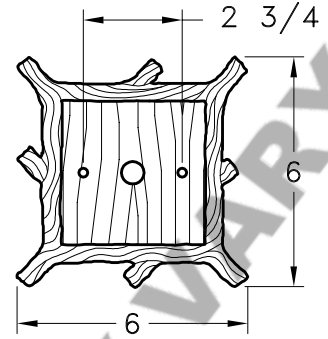
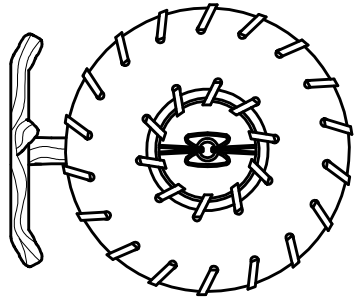
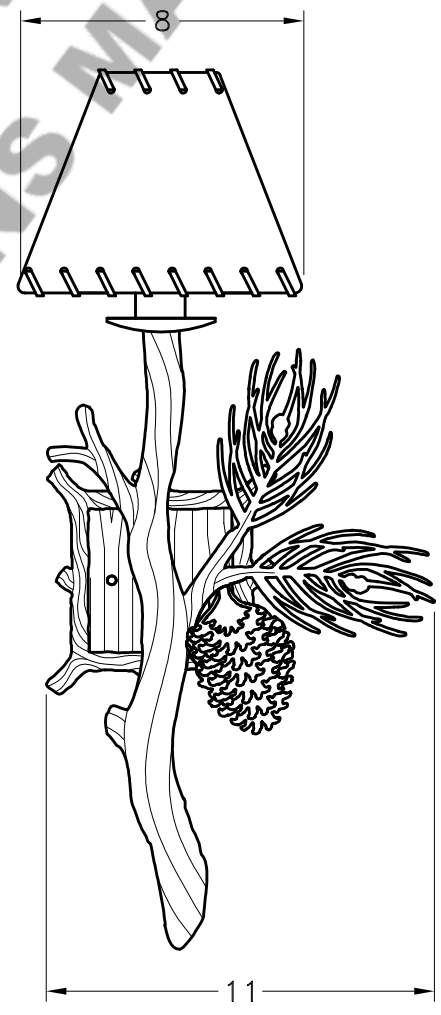
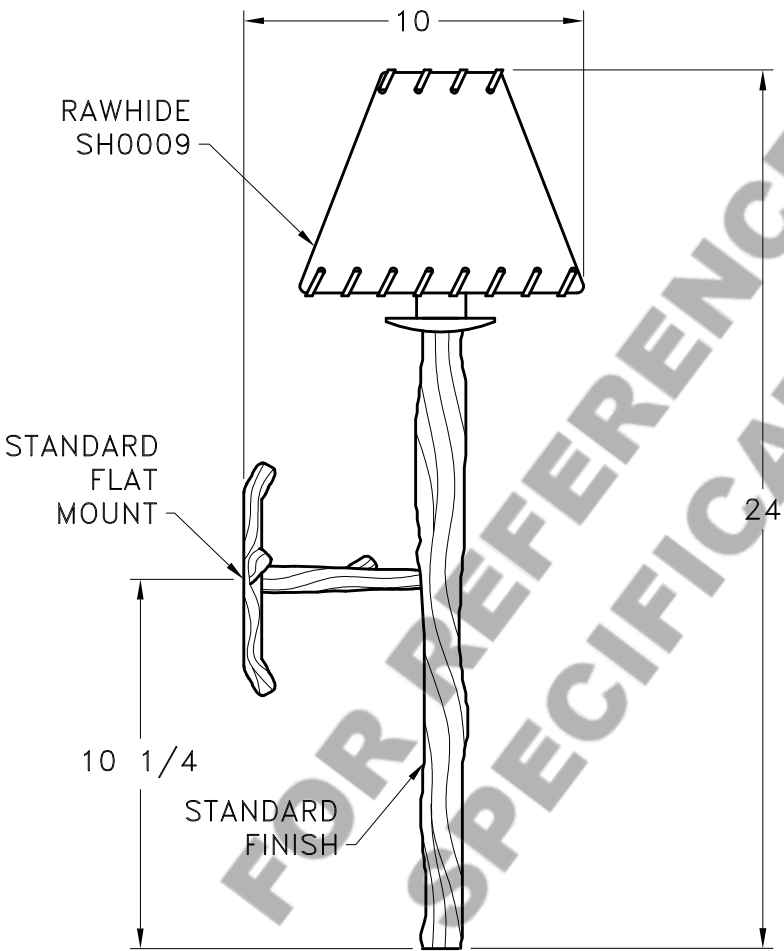


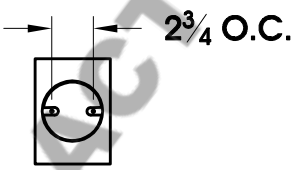
HAMMERTON



MOUNTING DETAIL



MOUNTING SPECIFICATION NOTES:



CAUTION
HARDWARE PACKET "D" MOUNTS DIRECTLY TO J-BOX.

ELECTRICAL SPECIFICATION NOTES:



ELECTRICAL: 1 - 40 WATT MAX
EDISON BASE
120v TYPICAL

CATALOG # ID7011-PN-SH0009
APPROXIMATE WEIGHT: 5 Lbs.
HARDWARE PACKET: D
SHADE MATERIAL : RAWHIDE
UL RATING: DRY
DIMENSION TOLERANCE ±7/8".
www.hammerton.com

© Copyright 2006, All rights in design, detail or invention of this drawing are reserved as the property of Hammerton. Any limitation or adaptation without written consent is strictly