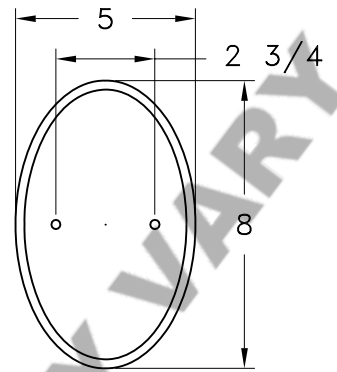
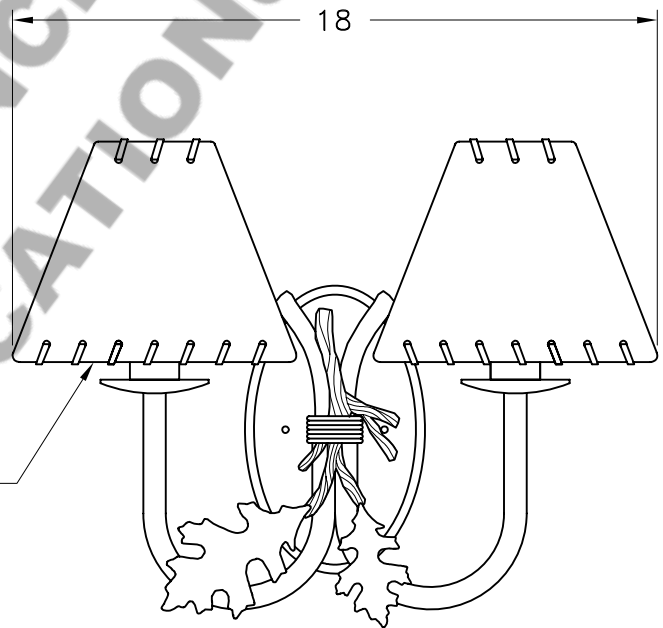
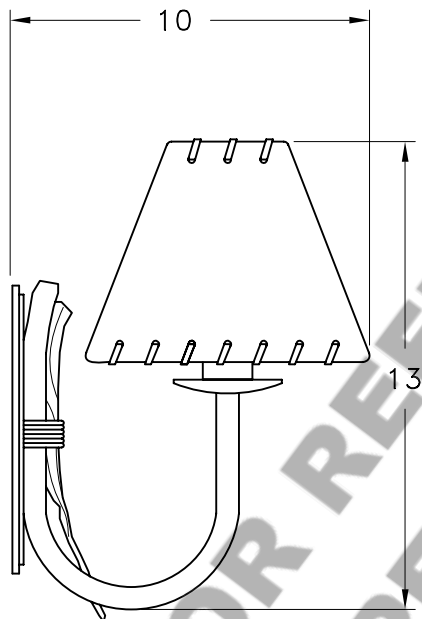


# HAMMERTON

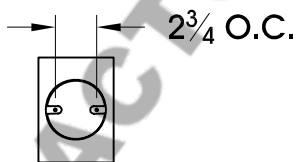


MOUNTING DETAIL



RAWHIDE

**MOUNTING SPECIFICATION NOTES:**



**CAUTION**  
HARDWARE PACKET "D" MOUNTS  
DIRECTLY TO J-BOX.

**ELECTRICAL SPECIFICATION NOTES:**



**ELECTRICAL: 2 — 40 WATT MAX**  
**EDISON BASE**  
**120v TYPICAL**

Light Bulb NOT Included

**CATALOG # ID7070-OK**

**APPROXIMATE WEIGHT: 12 Lbs.**

**HARDWARE PACKET: D**

**SHADE MATERIAL : RAWHIDE**

**UL RATING: DRY**

**DIMENSION TOLERANCE ± 7/8".**

[www.hammerton.com](http://www.hammerton.com)

© Copyright 2006, All rights in design, detail or invention of this drawing are reserved as the property of Hammerton. Any imitation or adaptation without written consent is strictly prohibited.