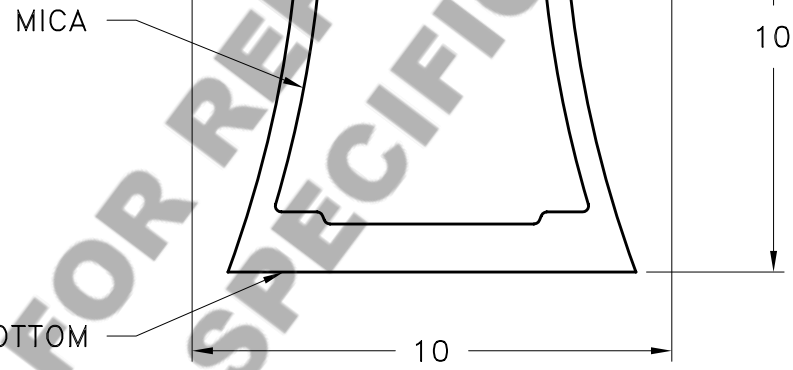
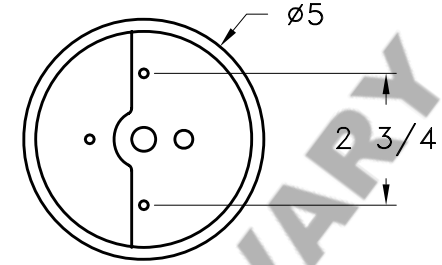
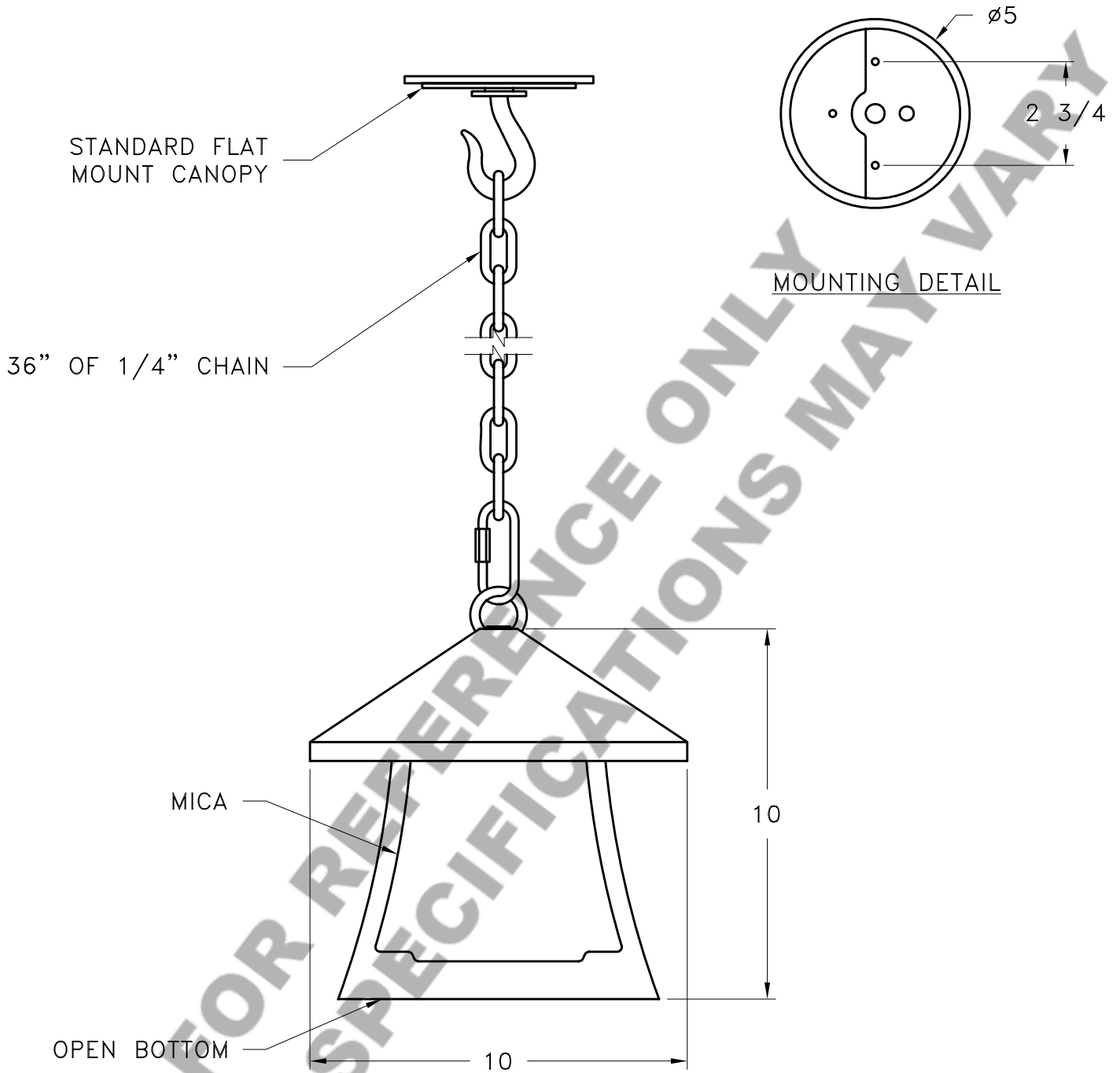
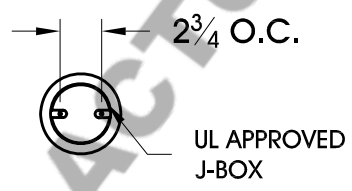


# HAMMERTON



**MOUNTING SPECIFICATION NOTES:**



**CAUTION**  
HARDWARE PACKET "J" MOUNTS DIRECTLY TO J-BOX.

**ELECTRICAL SPECIFICATION NOTES:**



**ELECTRICAL: 1-100 WATT MAX  
EDISON BASE  
120v TYPICAL**

Light Bulb NOT Included

CATALOG # LA4011
APPROXIMATE WEIGHT: 10 Lbs.
HARDWARE PACKET: J
SHADE MATERIAL : MICA
UL RATING: DAMP
DIMENSION TOLERANCE $\pm 7/8"$ .
<a href="http://www.hammerton.com">www.hammerton.com</a>

© Copyright 2006, All rights in design, detail or invention of this drawing are reserved as the property of Hammerton. Any imitation or adaptation without written consent is strictly prohibited.