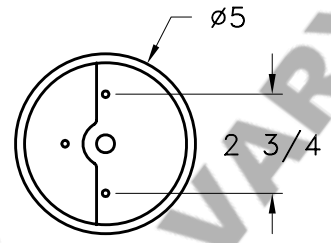
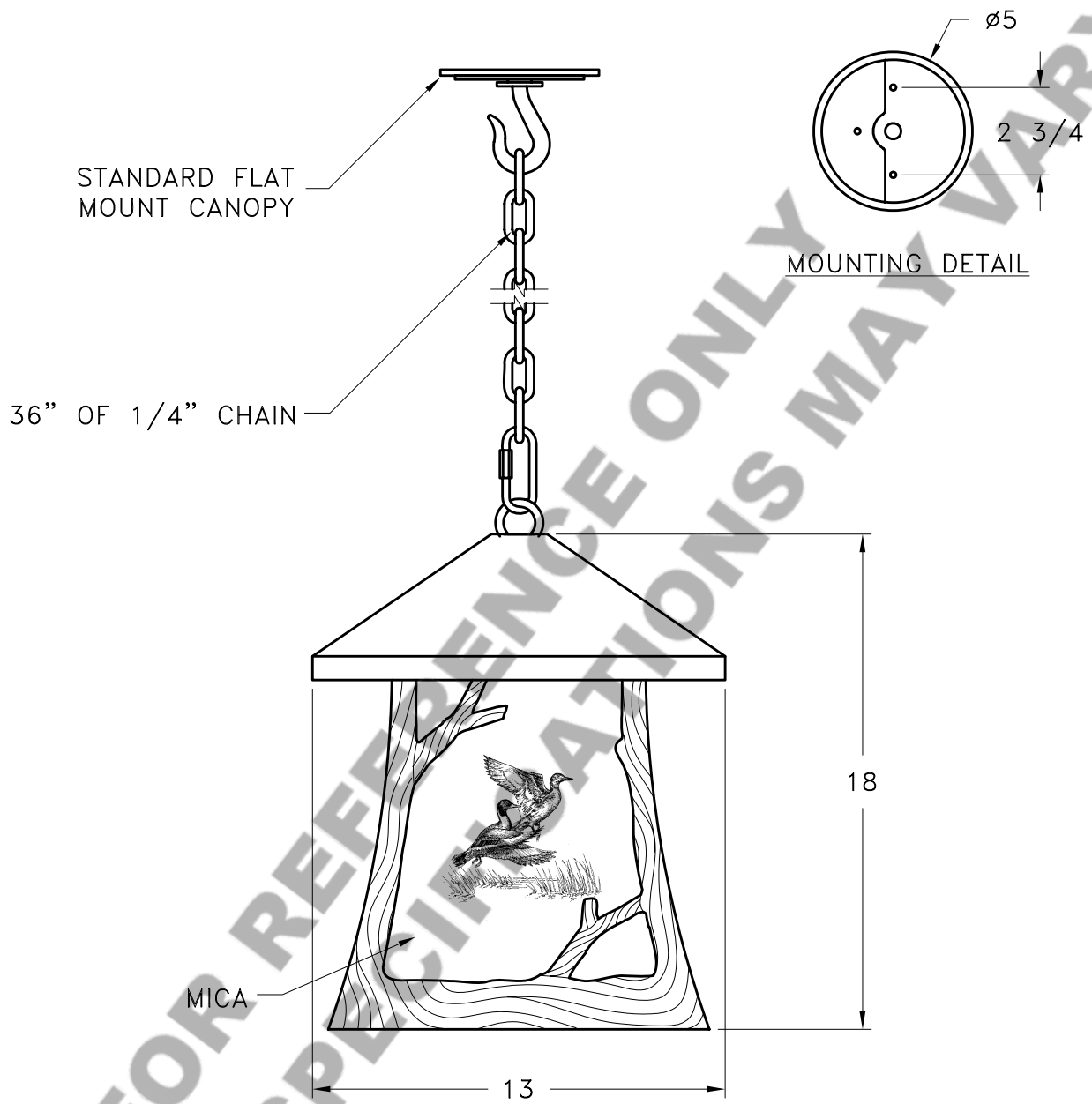


HAMMERTON



MOUNTING DETAIL

STANDARD FLAT
MOUNT CANOPY

36" OF 1/4" CHAIN

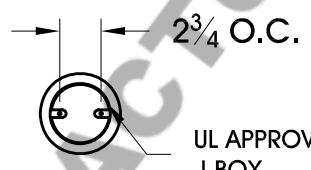
MICA

18

13

FOR REFERENCE ONLY SPECIFICATIONS MAY VARY

MOUNTING SPECIFICATION NOTES:



UL APPROVED
J-BOX

CAUTION

HARDWARE PACKET "J" MOUNTS
DIRECTLY TO J-BOX.

ELECTRICAL SPECIFICATION NOTES:



**ELECTRICAL: 1-100 WATT MAX
EDISON BASE
120v TYPICAL**

Light Bulb NOT Included

CATALOG # LA7087-BI-3

APPROXIMATE WEIGHT: 20 Lbs.

HARDWARE PACKET: J

SHADE MATERIAL : MICA

UL RATING: DAMP

DIMENSION TOLERANCE $\pm 7/8"$.

www.hammerton.com

© Copyright 2006, All rights in design, detail or invention of this drawing are reserved as the property of Hammerton. Any imitation or adaptation without written consent is strictly prohibited.