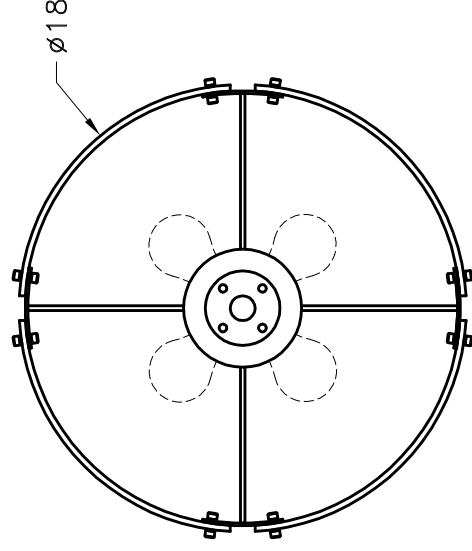


HAMMERTON

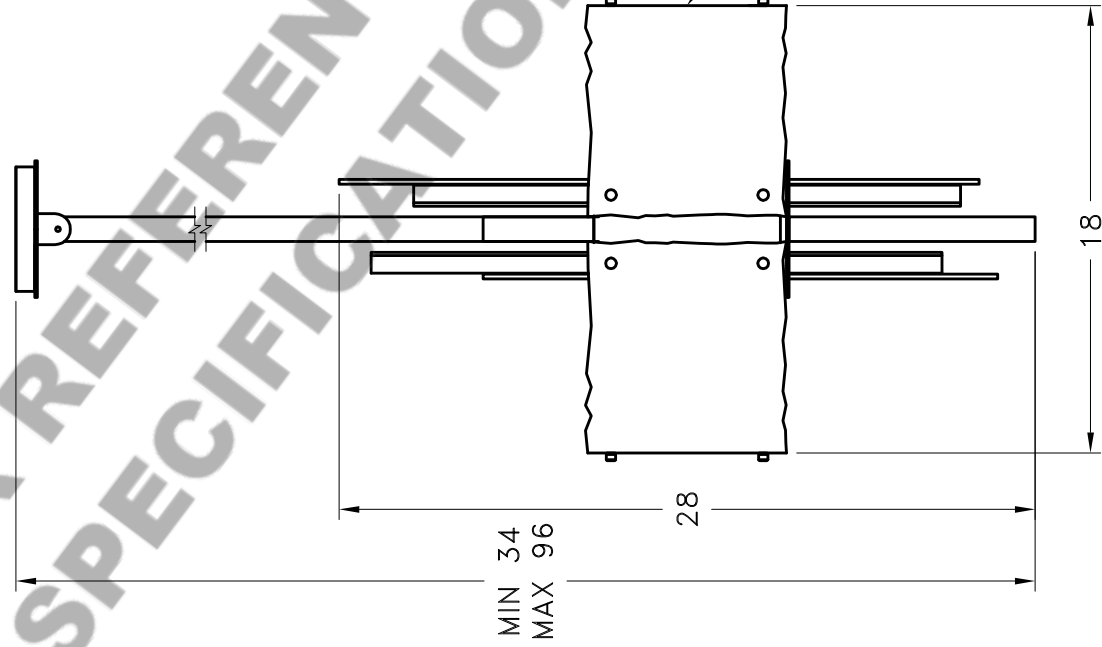
SPECIFICATION DRAWING

Location:

Product #: LAA2161



TOP VIEW



Visit hammertron.com for product options.

Mounting Packet: J	Electrical Type: INCANDESCENT	Mounting Detail
Approximate lbs.: 45	Bulb Qty: 4 Wattage: 60	 UL APPROVED J-BOX
Finish: SEE WEB SITE FOR OPTIONS	Voltage: 120	
Top Diffuser: OPEN	Socket Type: E26	
Bottom Diffuser: FROSTED ACYLIC	UL Location: DRY	

All fixtures created by Hammertron are handcrafted by artisans. Dimensions may vary up to $\frac{7}{8}$ ".

©Copyright 2018. All rights in design, detail or invention of this drawing are reserved as the property of Hammertron. Any imitation or adaptation without written consent is strictly prohibited.

Hammertron Inc. · 217 Wright Brothers Dr. · Salt Lake City, UT 84116 · (801) 973-8095

CAUTION

HARDWARE PACKET 'J' MOUNTS
DIRECTLY TO J-BOX.