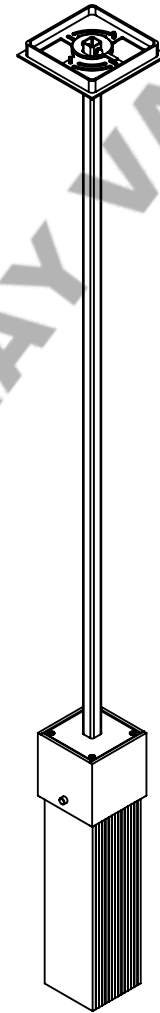
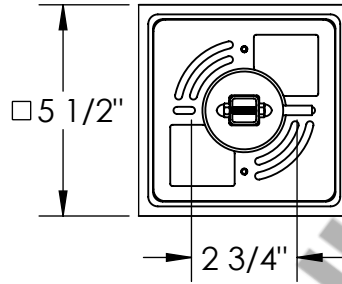
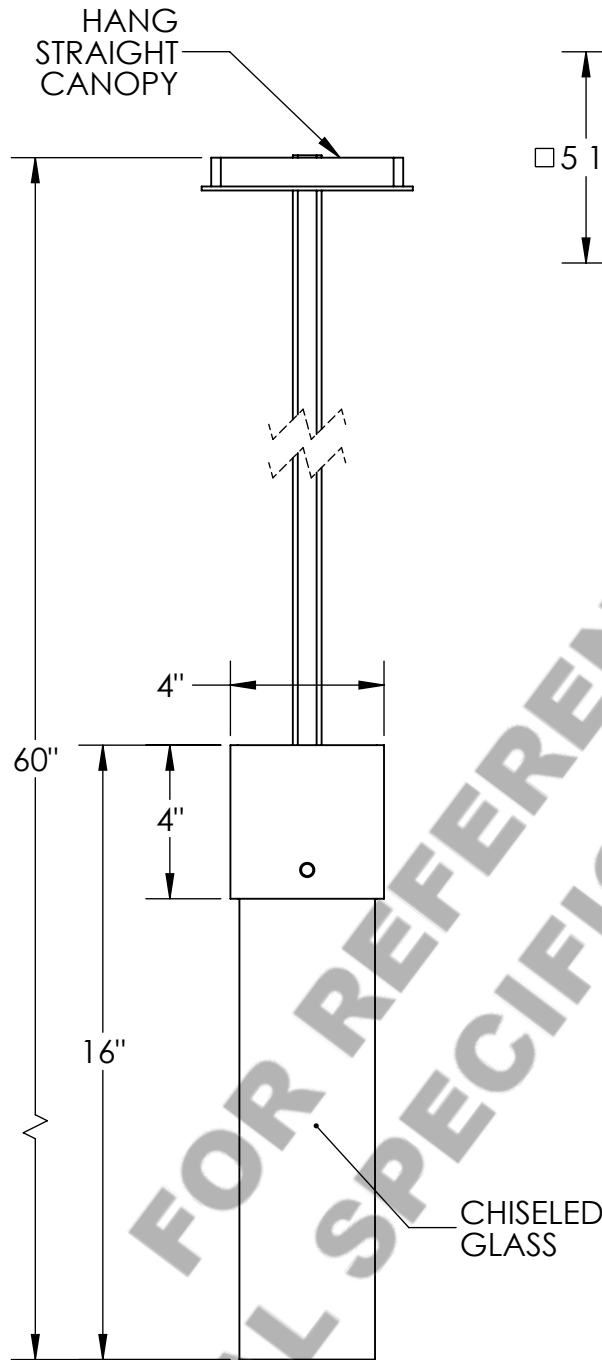


Approved By:

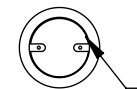
Product #: LAA2181



LED SPECS	
CCT	2700K or 3000K
ELEC. QTY	4
TOTAL WATTAGE	11
SOURCE LIGHT	720 lm
DIMMABLE	FORWARD/REVERSE PHASE & 0-10V
CRI	93+
POWER FACTOR	>0.9

Mounting Style: J	Electrical Type: INTEGRATED LED
Approximate lbs.: 23	Bulb Qty:N/A Total Wattage:N/A
Finish:SEE WEBSITE FOR DETAILS	Voltage:120
Top Diffuser: CLOSED METAL	Socket Type: N/A
Bottom Diffuser: GLASS	UL Location: DRY
All fixtures created by Hammerton are handcrafted by artisans—dimensions may vary.	
© Copyright 2015. All rights in design, detail or invention of this drawing are reserved as the property of Hammerton. Any imitation or adaptation without written consent is strictly prohibited.	
Hammerton Inc. 217 Wright Brothers Dr. Salt Lake City, UT 84146 (801) 973-8095	

Mounting Detail



UL APPROVED
J-BOX

CAUTION

HARDWARE PACKET "J"
MOUNTS DIRECTLY TO J-BOX.