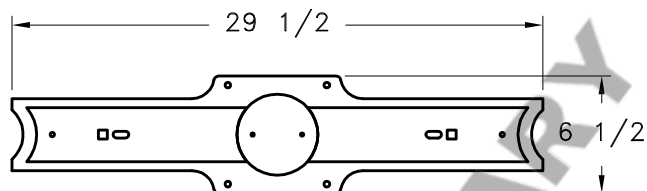
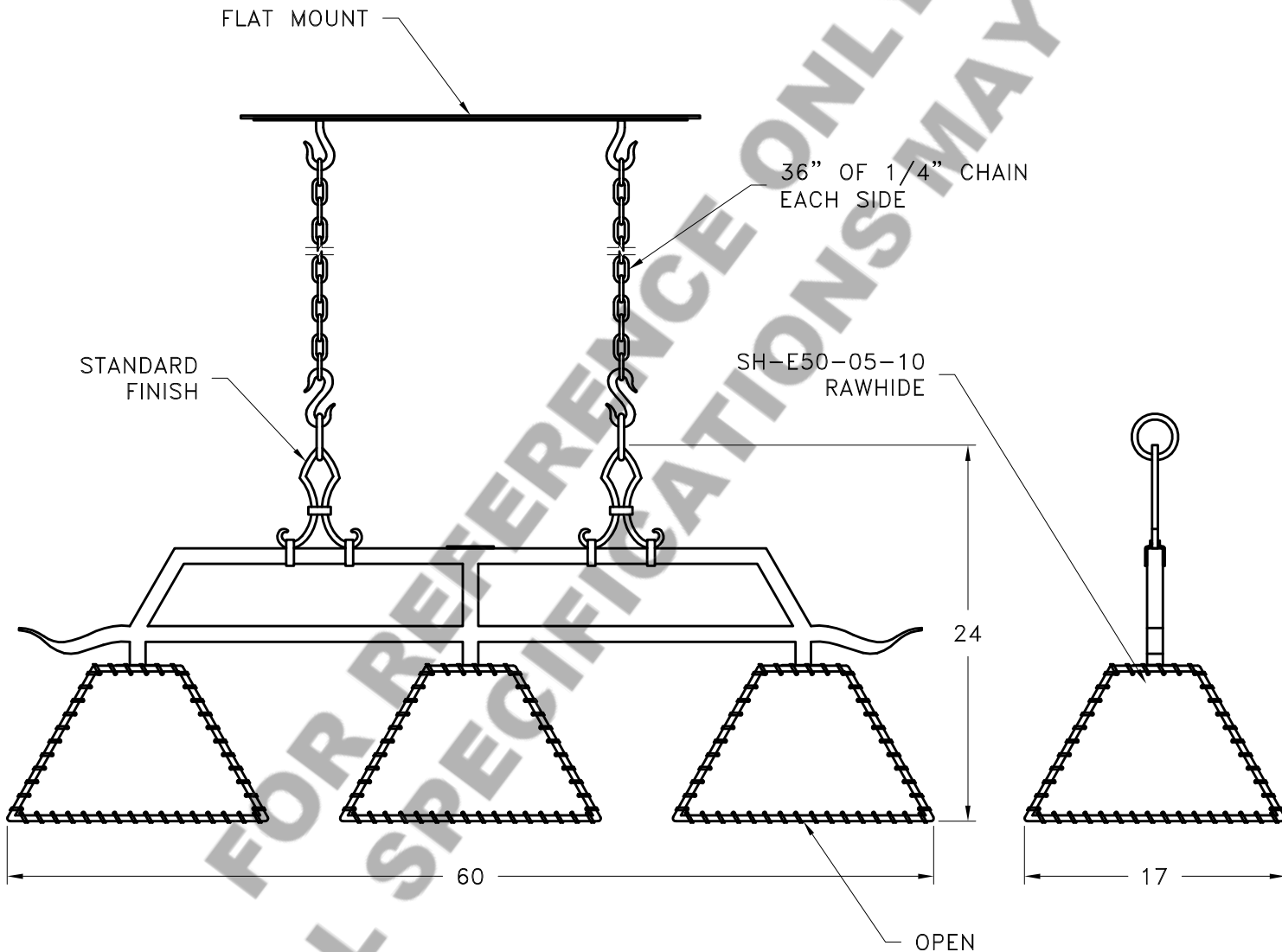


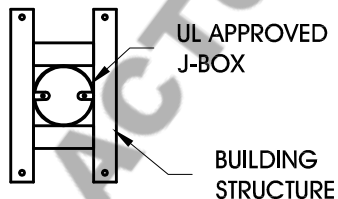
# HAMMERTON



**MOUNTING PLATE**



**MOUNTING SPECIFICATION NOTES:**



**CAUTION**  
HARDWARE PACKET "B" MOUNTS DIRECTLY TO BUILDING STRUCTURE.

**ELECTRICAL SPECIFICATION NOTES:**



**ELECTRICAL: 3-100 WATT MAX  
EDISON BASE  
120v TYPICAL**

**CATALOG # PL5011**

**APPROXIMATE WEIGHT: 55 Lbs.**

**HARDWARE PACKET: B**

**SHADE : RAWHIDE**

**UL RATING: DRY**

All of the fixtures created by Hammerton are hand crafted by artisans-dimensions may vary.

©Copyright 2010: All rights in design, detail or invention of this drawing are reserved as the property of Hammerton. Any limitation or adaptation without written consent is strictly prohibited.

[www.hammerton.com](http://www.hammerton.com)