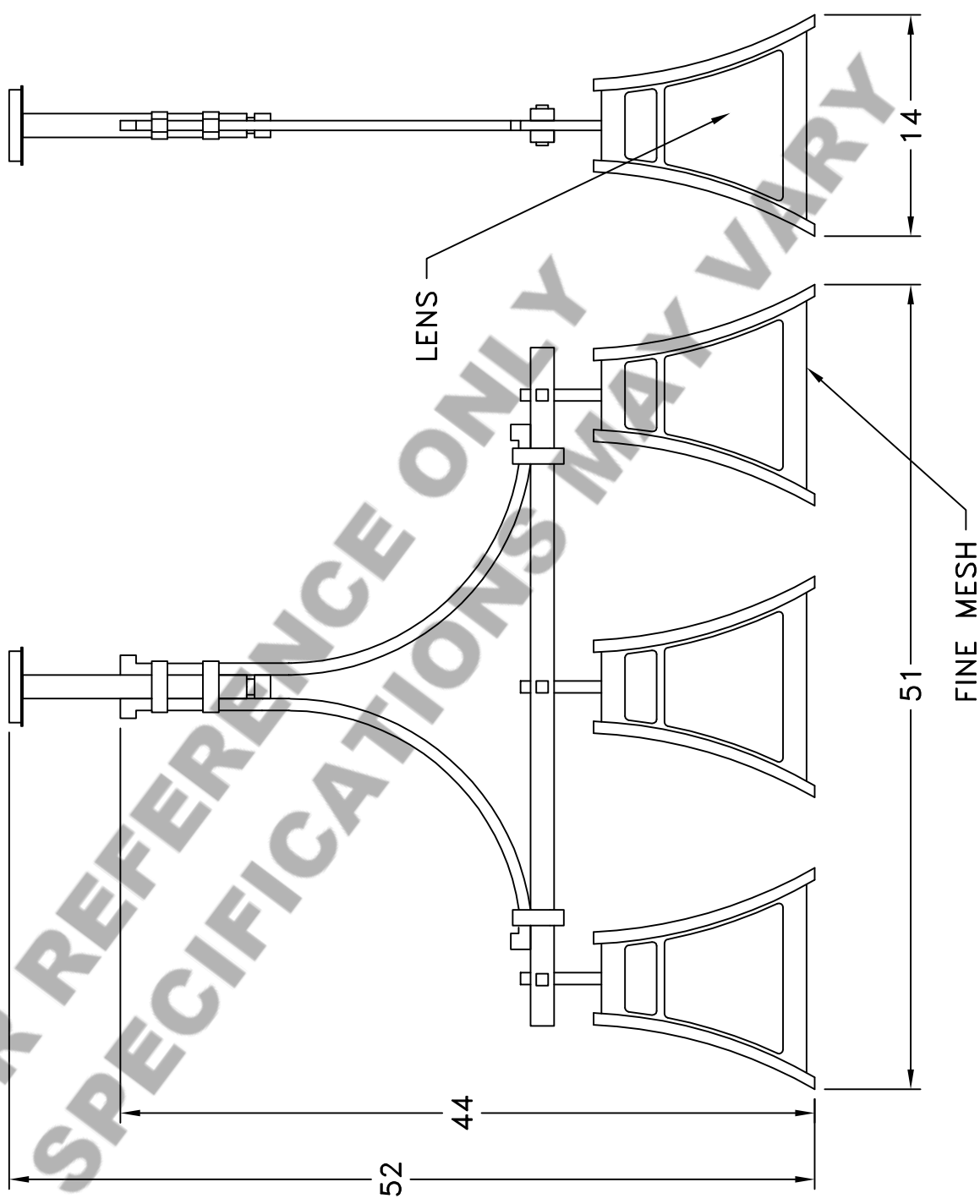
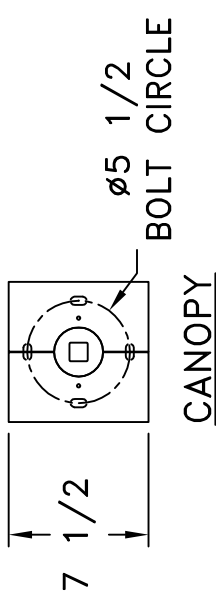


Location:

Product #: PL8092



Visit [hammerton.com](http://hammerton.com) for product options and specifications.

|                                  |                               |
|----------------------------------|-------------------------------|
| Mounting Style: A                | Electrical Type: INCANDESCENT |
| Approximate lbs.: 120            | Bulb Qty: 3    Wattage: 75    |
| Finish: SEE WEB SITE FOR OPTIONS | Voltage: 120                  |
| Top Diffuser: OPEN               | Socket Type: MEDIUM           |
| Bottom Diffuser: FINE MESH       | UL Location: DRY              |

Mounting Detail

UL APPROVED J-BOX  
BUILDING STRUCTURE

**CAUTION**

HARDWARE PACKET "A"  
MOUNTS DIRECTLY TO  
BUILDING STRUCTURE.

All fixtures created by Hammerton are handcrafted by artisans. Dimensions may vary up to 1/8".

©Copyright 2016. All rights in design, detail or invention of this drawing are reserved as the property of Hammerton. Any limitation or adaptation without written consent is strictly prohibited.

Hammerton Inc. · 217 Wright Brothers Dr. · Salt Lake City, UT 84116 · (801) 973-8095