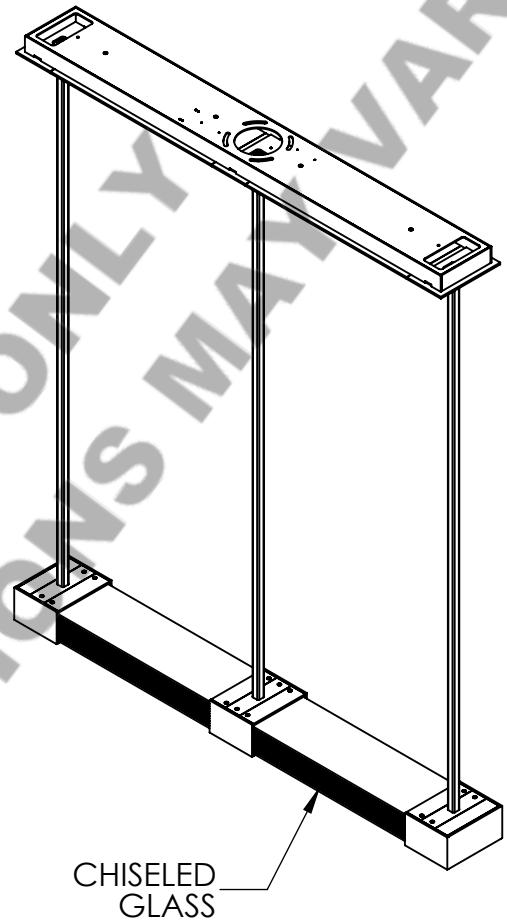
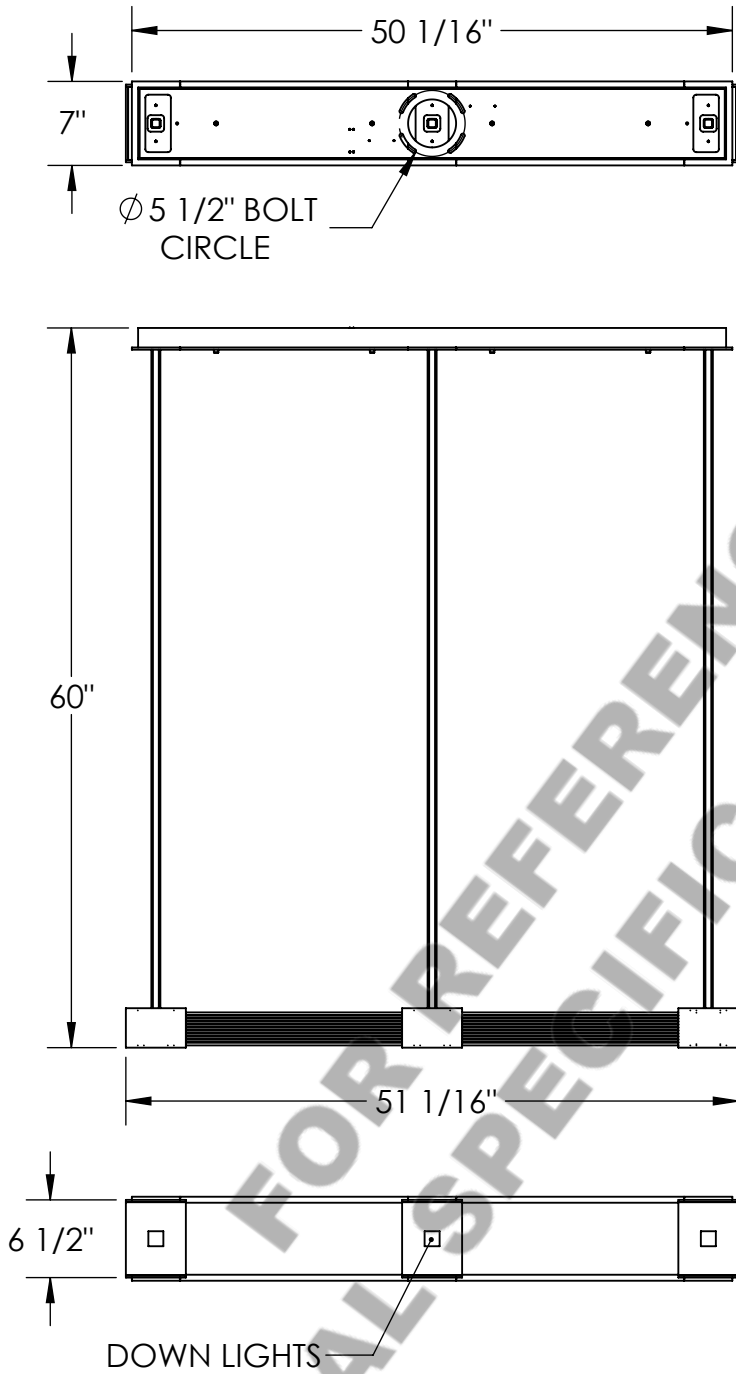


Approved By:

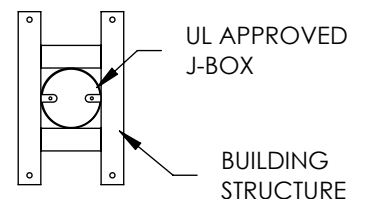
Product #: PLA2180



LED SPECS	
CCT	2700K or 3000K
ELEC. QTY	11
TOTAL WATTAGE	37
SOURCE LIGHT	2465 lm
DIMMABLE	FORWARD/REVERSE PHASE
CRI	93+
POWER FACTOR	>0.9

Mounting Style: B	Electrical Type: LED
Approximate lbs.: 121	Elec. Qty:N/A Total Wattage:N/A
Finish: SEE WEBSITE	Voltage:120
Top Diffuser: CLOSED METAL	Socket Type:N/A
Bottom Diffuser: FROSTED GLASS	UL Location: DRY
All fixtures created by Hammerton are handcrafted by artisans—dimensions may vary.	
© Copyright 2015. All rights in design, detail or invention of this drawing are reserved as the property of Hammerton. Any imitation or adaptation without written consent is strictly prohibited.	
Hammerton Inc. 217 Wright Brothers Dr. Salt Lake City, UT 84146 (801) 973-8095	

Mounting Detail



CAUTION
HARDWARE PACKET "B" MOUNTS DIRECTLY TO BUILDING STRUCTURE.