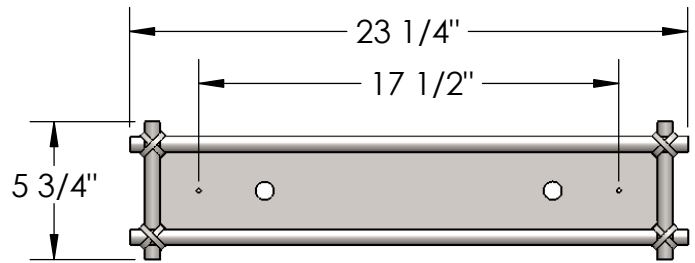


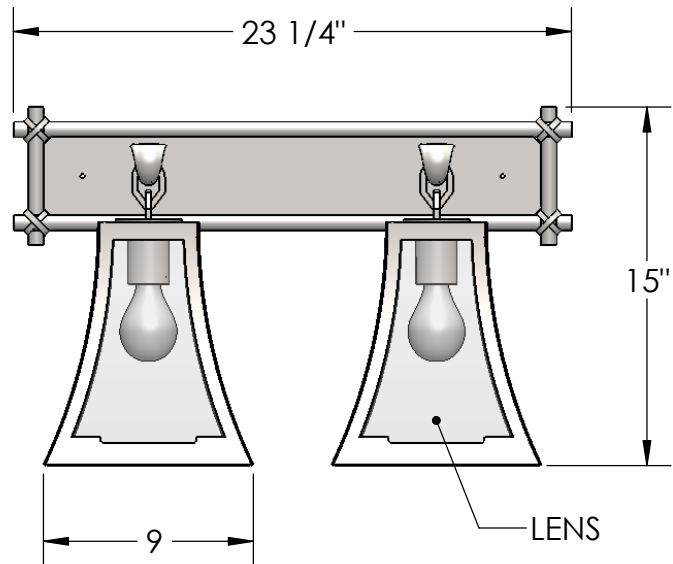
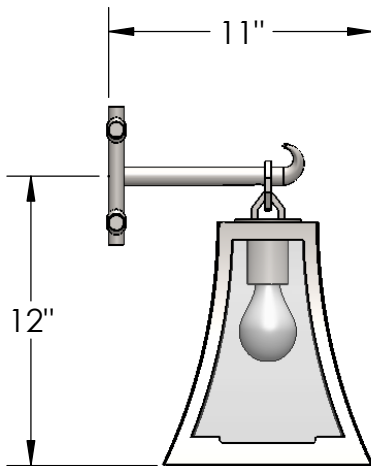
Approved By:

Product #: VL4014

Date: 12/1/2016



MOUNTING PLATE



MOTIF OPTIONS:

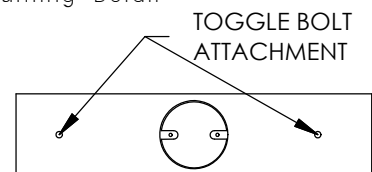


FI-1
LEFT FACING

FI-2
LEFT FACING

Mounting Style: F	Electrical Type: INCANDESCENT
Approximate lbs.: 25	Bulb Qty: 2 Wattage: 60
Finish: SEE WEBSITE FOR OPTIONS	Voltage: 120
Top Diffuser: CLOSED STEEL	Socket Type: MEDIUM
Bottom Diffuser: OPEN	UL Location: DAMP

Mounting Detail



CAUTION
HARDWARE PACKET "F"
MOUNTS
USING TOGGLE BOLTS

All fixtures created by Hammerton are handcrafted by artisans—dimensions may vary.

© Copyright 2015. All rights in design, detail or invention of this drawing are reserved as the property of Hammerton. Any imitation or adaptation without written consent is strictly prohibited.

Hammerton Inc. • 217 Wright Brothers Dr. • Salt Lake City, UT 84146 (801) 973-8095